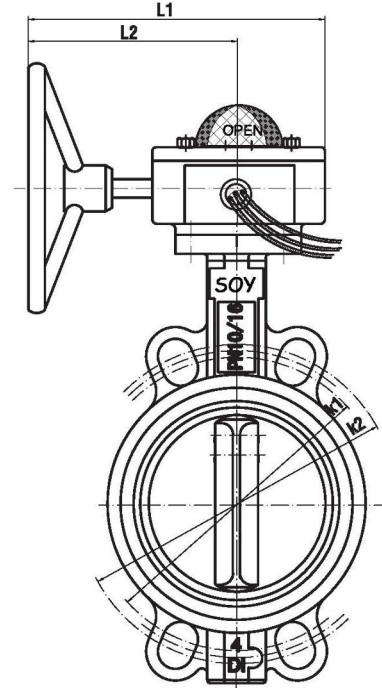
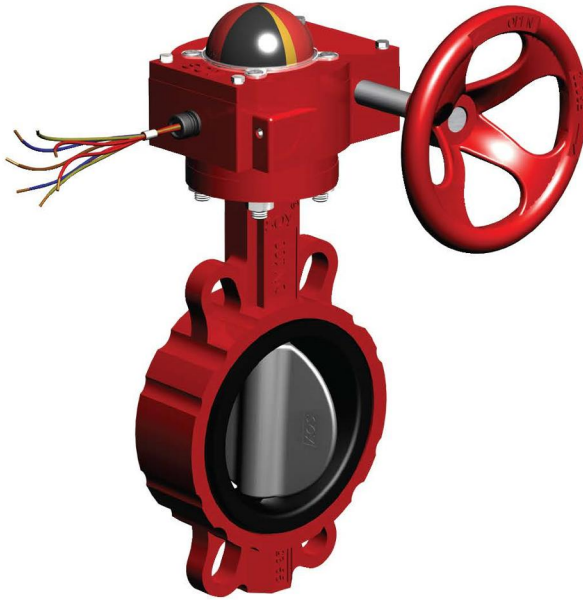
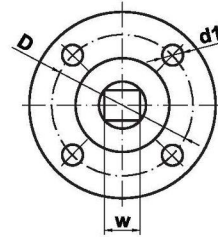


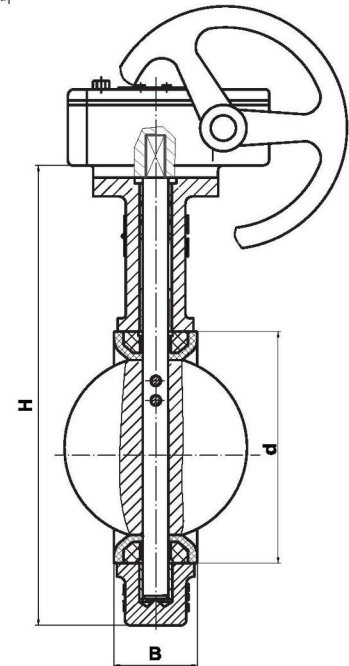
## İzlenebilir Kelebek Vana / Signal Head Butterfly Valve



NO	PARÇA ADI	PART NAME	MATERIAL
1	GÖVDE	BODY	GGG40.3/GG 25
2	UZUN BURÇ	LONG BUSHING	PTFE
3	MİL	STEM	SS416
4	CONTA	SEAT	NBR / VITON / PTFE / EPDM / NR
5	KLAPE	DISC	DI /SS316
6	KISA BURÇ	SHORT BUSHING	PTFE
7	ORİNG	ORING	NBR
8	PUL	WASHER	GR33
9	SEGMAN	CIRCLIP	GR33
10	DİŞLİ KUTUSU	GEAR BOX	STEEL
11	CİVATA	BOLT	STEEL



DN	H	B	d	L1	L2	D	d1	w	PN10 PN16		KG
									Øk1	Øk2	
40	198	35	72	207	155	50	7	9	110	110	6
50	198	46	76	207	155	50	7	9	125	125	7
65	218	49	89	207	155	50	7	9	145	145	7.5
80	233	49	104	207	155	50	7	9	160	160	8
100	270	55	135	207	155	70	10	11	180	180	10
125	303	59	159	207	155	70	10	14	210	210	11
150	340	59	188	207	155	70	10	14	240	240	13



### UYGULAMA ALANLARI / APPLICATIONS

SU, DENİZ SUYU, HAVA, vb / WATER, SEA WATER, AIR, etc.

BAĞLANTILAR / ENDS: DIN EN1092-2

ÇALIŞMA BASINCI / WORKING PRESSURE : PN16